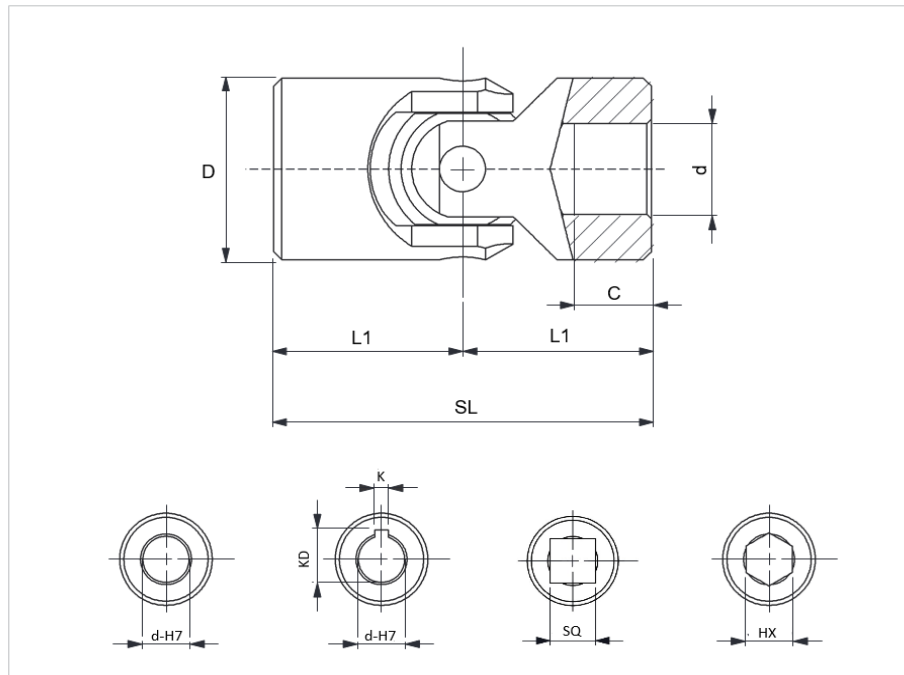


## SINGLE JOINT



Code	d-H7	D	SL		L1	K x KD	SQ	HX	Weight
-	Bore	Dia	Length	On Request	-	Width x Deep	Square Bore	Hex Bore	KG
S-16	6	16	40	65	20	2 x 9	8	8	0.05
S-22	10	22	48	75	24	3 x 11.4	10	10	0.1
S-25	12	25	56	80	28	4 x 13.8	12	12	0.16
S-28	14	28	60	85	30	5 x 16.3	14	14	0.2
S-32	16	32	68	95	34	5 x 18.3	16	16	0.3
S-36	18	36	74	100	37	6 x 20.8	18	18	0.45
S-42	20	42	82	110	41	6 x 22.8	20	20	0.6
S-45	22	45	95	120	47	6 x 24.8	22	22	0.95
S-50	25	50	108	130	54	8 x 28.3	25	25	1.2
S-58	30	58	125	150	63	10 x 35.3	30	30	2
S-70	35	70	140	165	70	10 x 38.3	-	-	3.15
S-80	40	80	160	185	80	12 x 43.3	-	-	4.6
S-95	50	95	190	215	95	14 x 53.8	-	-	7.6

### Ordering Example:

**S - 32 - 16 - 68 - K**

↓   ↓   ↓   ↓   ↓

Single   Dia   Bore   Length   Keyway

Type	Dia	Bore	Length	Profile
S	32	16	68	K

